



NIFTYLIFT-SD170

WWW.RENT-INDUSTRIAL.COM

CEL: 3105778787 - (+57-1) 7452407

comercial@rent-industrial.com

Autopista Bogotá - Medellín Km 7 Celta Trade Park Bodega 20



NIFTYLIFT-SD170

Datos técnicos



17.1m
56ft



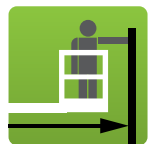
2.1m
6ft 11in



15.1m
49ft 6in



1.6m
5ft 3in



8.7m
28ft 6in



4.4m
14ft 5in



30%
17°



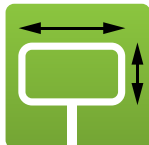
200kg
440lbs



5.6m
18ft 4in



2750kg
6000lbs



1.1m x 0.65m
3ft 7in x 2ft 2in



8.3km/h
5.2mph



100°



5.2m
17ft

WWW.RENT-INDUSTRIAL.COM

CEL: 3105778787 - (+57-1) 7452407

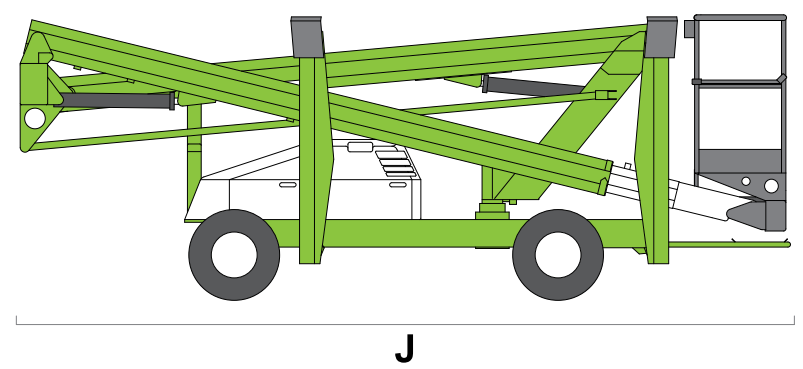
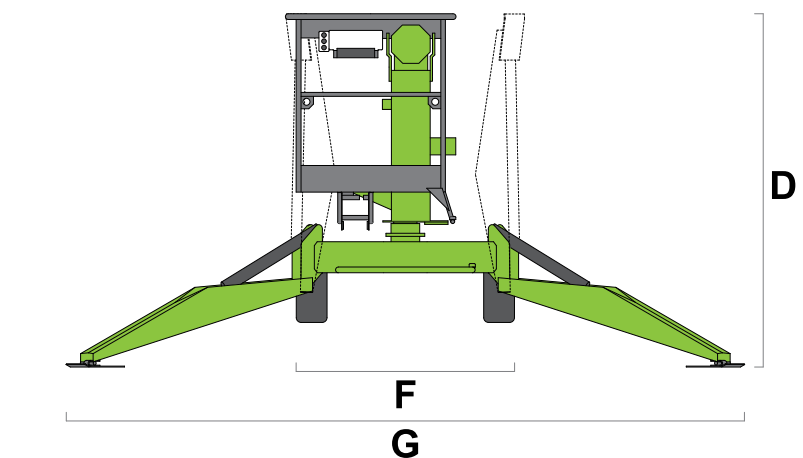
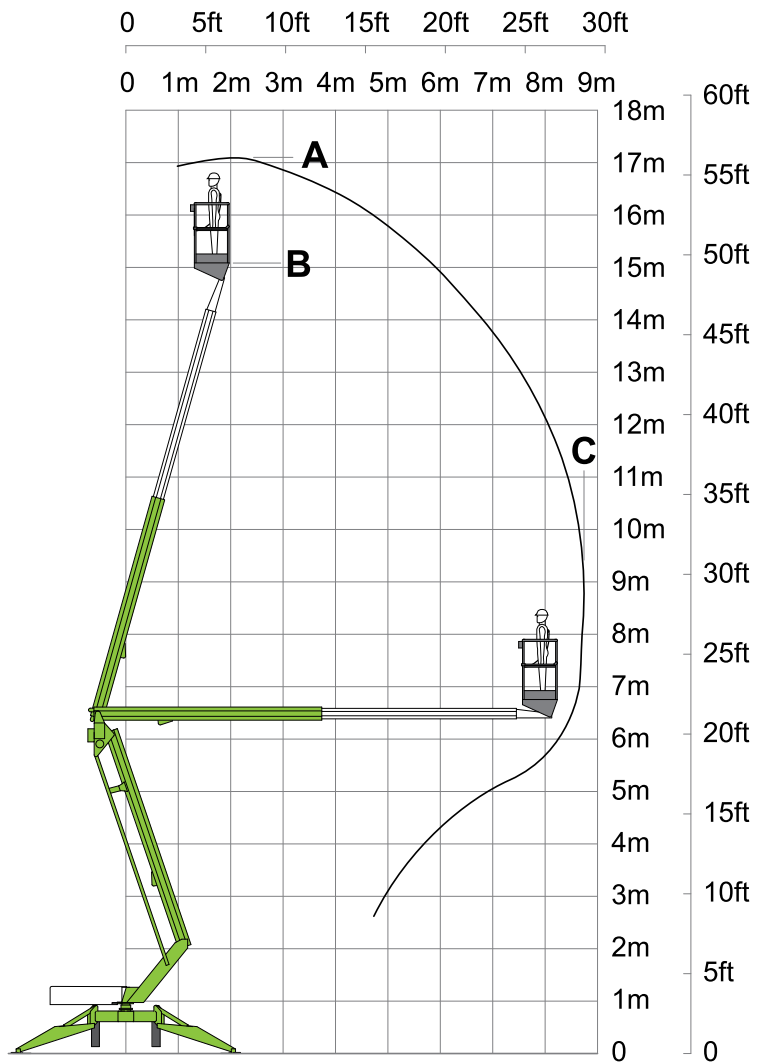
comercial@rent-industrial.com

Autopista Bogotá - Medellín Km 7 Celta Trade Park Bodega 20



NIFTYLIFT-SD170

Datos técnicos



WWW.RENT-INDUSTRIAL.COM

CEL: 3105778787 - (+57-1) 7452407

comercial@rent-industrial.com

Autopista Bogotá - Medellín Km 7 Celta Trade Park Bodega 20

