

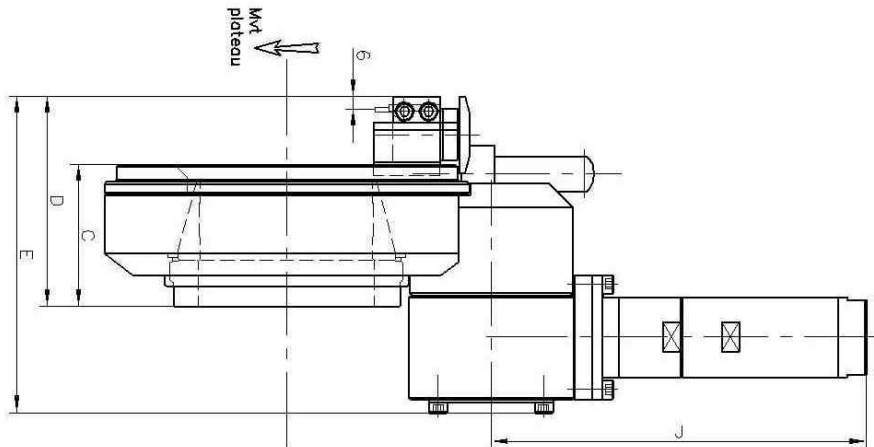
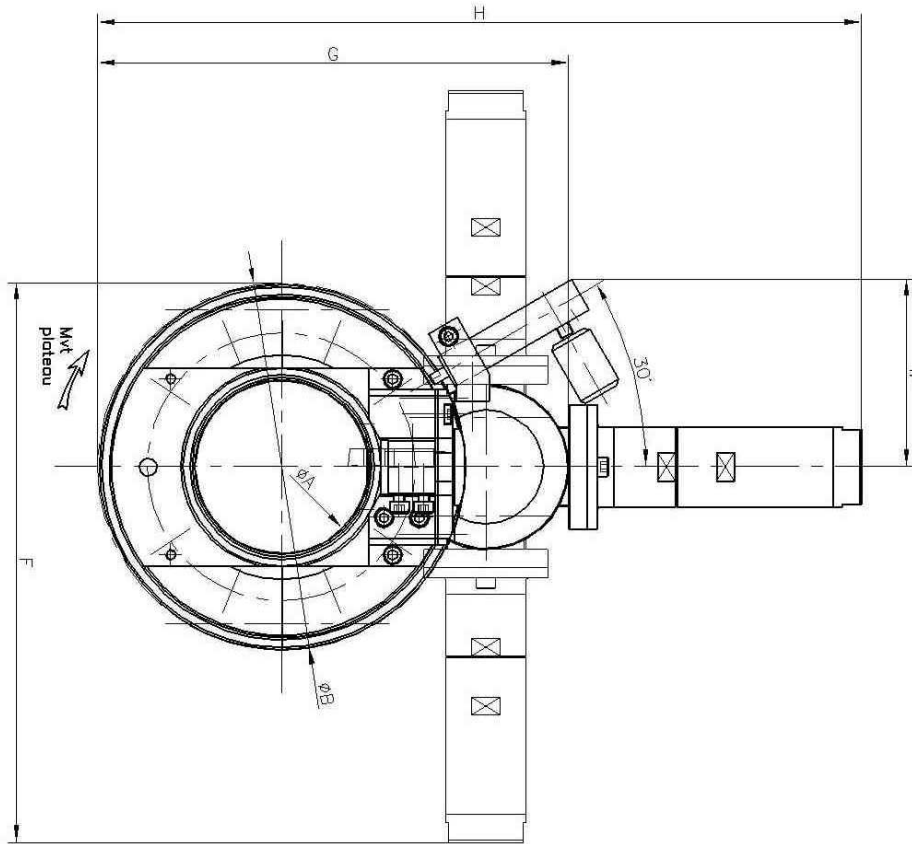
Tube cutting and beveling machine type TTS-RD - series



The machine type TTS-RD has been specially designed to perform cuts within limited clearances. The TTS-RD design, opening into two half shells, allows it to be set up on existing closed loops. Clamping by means of collets allows a quick set-up and an easy concentricity adjustment. The tool holders have been designed to remain in the ring overall dimensions. This machine allows to perform high quality weld preparation (orbital) on all types of tubes (steel, stainless steel).

Technical Features

Clamping and machining capacity:	According to the customer specifications
already manufactured	OD 21 to 140 mm OD 1/2" to 5
Tool rotation:	unloaded 0 to 30 rpm
Clamping:	manual, with tool
Feed:	automatic with coupler
Drive:	pneumatic motor power according to the model
Weight:	ca. 5 kg
Machine will be delivered with:	<ul style="list-style-type: none"> • Collet • Pointed cutting tool bit • Flat cutting tool bit • Keys and screws • Instruction manual



Änderungen der technischen Daten vorbehalten. Der Inhalt ist vertraulich. Dieses Dokument ist einzigartig und das Eigentum von PROTEM. Es darf nicht verbessert, vervielfältigt oder verändert werden, ohne das vorherige schriftliche Einverständnis von PROTEM.

Subject to modification without prior notice. Its content is confidential, this document is unique and is PROTEM property, it shall not be corrected, duplicated or modified without the written agreement of PROTEM.

Es gelten ausschließlich die Lieferbedingungen des Verkäufers. The content refers exclusively to the sales and delivery conditions of the seller.

Die Weitergabe an Dritte ohne die schriftliche Zustimmung von PROTEM ist untersagt. The content of the document shall not be transferred to third parties without the written consent of PROTEM.