

# EL-405 STACKER LIFT

# SUMNER

Sumner Manufacturing Co., Inc.

## Perfect For Common Lifting & Loading Tasks



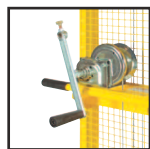
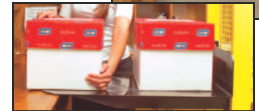
- EL-405 Features:**
- Lifts up to 400 lb (180 kg)
  - 4' 5" (135 cm) lifting height
  - Two-speed winch handle
  - Quick-action wheel brake
  - Large 24 x 28" (61 x 71 cm) lifting tray



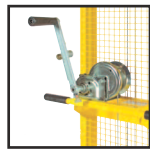
Ideal for lifting large boxes, generators, pumps, tooling, etc.



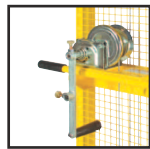
Shelf overlap feature for ease of loading



High Speed



Low Speed



Storage

Enclosed frame for safety

No cable in operator's face

Winch handle has two drive positions

Convenient steering handles

Quick action wheel brake

 MADE IN USA



# EL-405 STACKER LIFT



Quick-action retention strap holds load on lift tray. Strap features retractor to house loose strap, has a seat belt style push button release and a ratchet tightening mechanism.



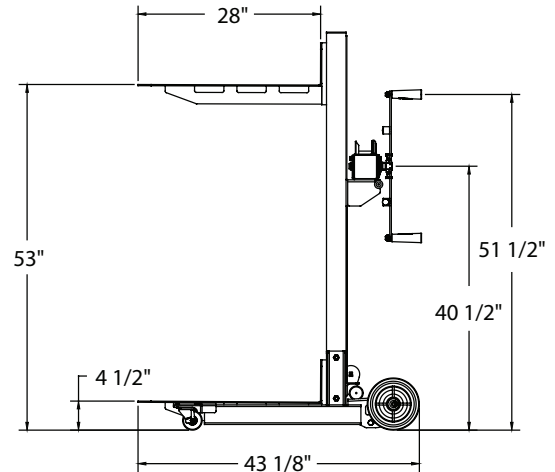
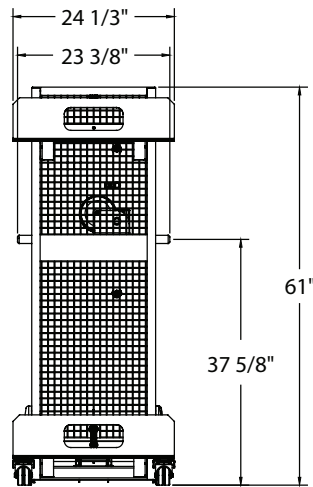
Ideal, adjustable work platform for repair shops.



Great for loading customer vehicles.

## EL 405 Extension Strap Kit (Part No. 784685)

An additional seat belt type strap may be attached to the bottom of the tray to provide securing of bulky cargo. With the combination of the ratchet strap and extension strap, a total 8.5' (2.5 m) is available for cargo hold down.



Part No.	Description	Max Height		Lifting Capacity		Lift Weight		Shipping Weight	
		Feet	Meter	lb	kg	lb	kg	lb	kg
784650	EL-405 Stacker Lift	4' 5"	1.35	400	180	170	78	182	83

# SUMNER

Sumner Manufacturing Co, Inc.  
www.sumner.com

### Sumner - U.S.

7514 Alabonson Road  
Houston, TX 77088  
Ph: 281-999-6900  
Fax: 281-999-6966

### Sumner - Canada

470 Collier MacMillan Drive,  
Units 2 & 3  
Cambridge, Ontario N1R 5Y7  
Ph: 519-623-2300  
Fax: 519-623-0744

### Sumner - U.K.

Unit 16A, Blackpole Trading Estate East  
Blackpole Road  
Worcester WR3 8SG  
Ph: (44) 01905 458333  
Fax: (44) 01905 458222

DISTRIBUTED BY: